



POWER SUPPLIES

DC POWER SUPPLIES

PS-200 SERIES

DESCRIPTION

The MAMAC Systems PS-200 power supply accepts a 115, 230 or 24 VAC input and provides a 5 to 25 VDC output that is both fully regulated and protected from short circuiting and thermal overloads. The PS-200 incorporates an inline fuse and terminal strip for the primary line voltage and multiple-position terminal strips for the DC output. Two unique chassis options are available for the PS-200, making it one of the most versatile, reliable, indestructible, easy to install, and stable power supplies in the industry.

NEW!

MAMAC SYSTEMS®



PS-200 Series



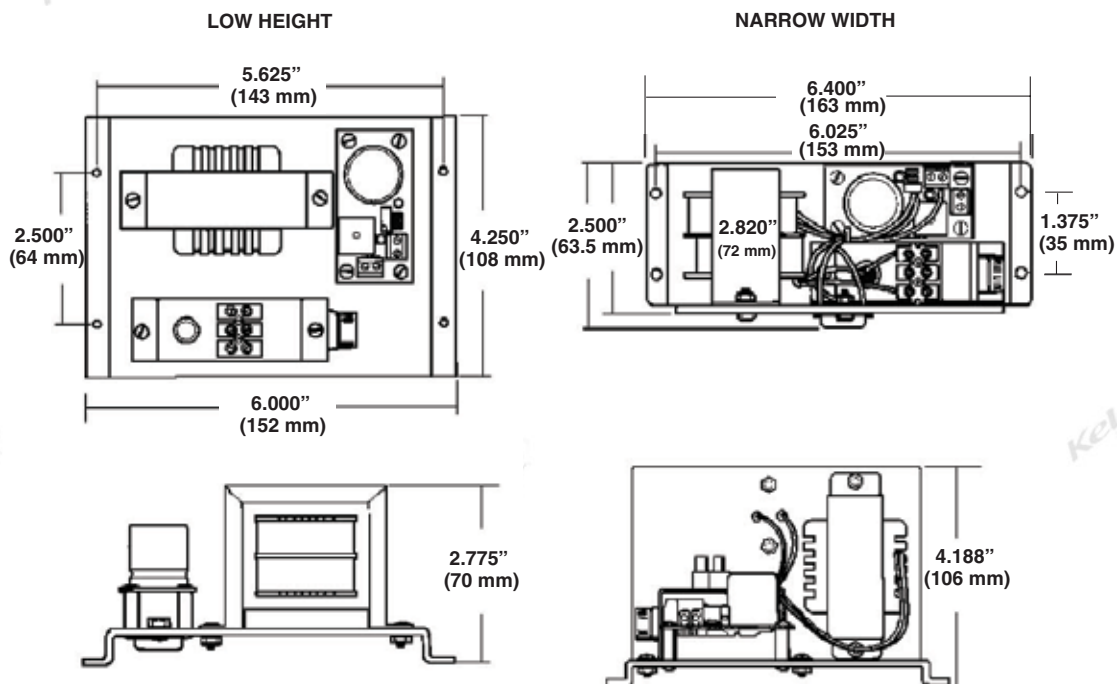
FEATURES

- Clean, filtered and regulated DC output
- Easily accessible inline fuse
- Less than 2.0 mV pp ripple
- Two unique chassis for ease of installation in control panels

SPECIFICATIONS

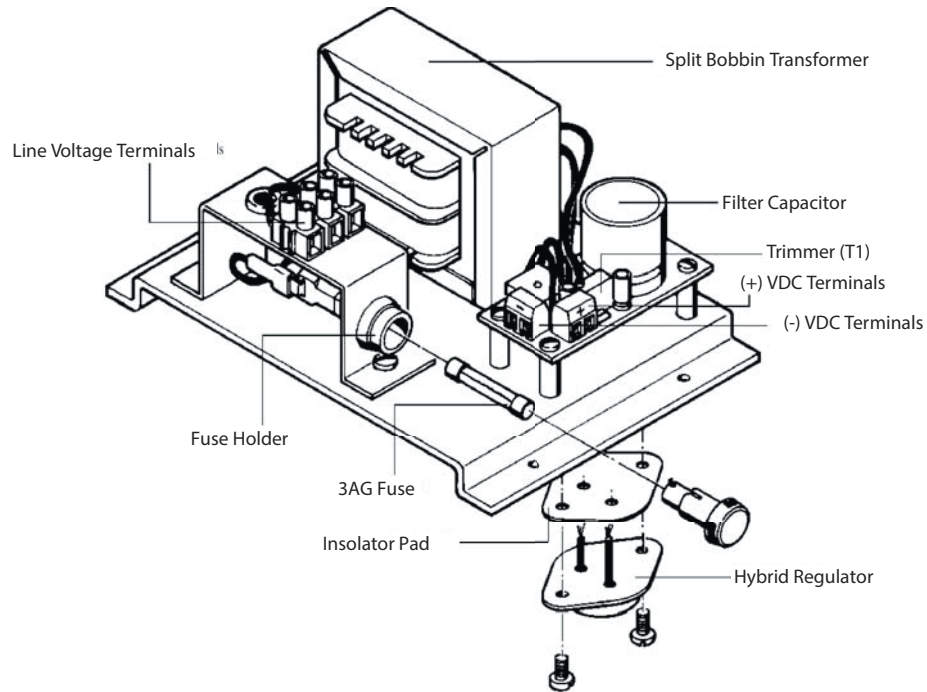
| | | | |
|-------------------------|--------------------------------------|------------------------------|------------------------------|
| Supply Voltage | 24-29 VAC / 90-130 VAC / 208-240 VDC | Operating Temperature | -40° to 120°F (-40° to 50°C) |
| Output Voltage | 5.0 to 25.0 VDC | Operating Humidity | 90% non-condensing |
| Line Regulation | 0.01%/V | Weight | |
| Load Regulation | 0.2% (no load to full load) | 1.5 Amps | 2.5 lb (1.1 Kg) |
| Output Current | Model Specific | 3.0 Amps | 3.0 lb (1.4 Kg) |
| Current Limit | 130% rated current | Approvals | RoHS, CE |
| Thermal Overload | Internally protected | Warranty | 1 year |
| Inline Fuse | 3AG 1.0/2.0 (In voltage only) | | |

DIMENSIONS





WIRING



ORDERING INFORMATION

| MODEL | DESCRIPTION | |
|--------|-----------------------|--------------|
| PS-200 | DC Power Supplies | |
| | OUTPUT VOLTAGE | |
| | 1 | 24 VDC |
| | 2 | 12 VDC |
| | 3 | 5 VDC |
| | OUTPUT CURRENT | |
| | A | 1.5 AMPS |
| | B | 3.0 AMPS |
| | LINE VOLTAGE | |
| | 1 | 115 VAC |
| | 2 | 230 VAC |
| | 3 | 24 VAC |
| | CLASSIC TYPE | |
| | L | Low Height |
| | N | Narrow Width |

| | | | | | | | | |
|---------------|---|----------|---|----------|---|----------|---|----------|
| PS-200 | - | 1 | - | A | - | 1 | - | L |
|---------------|---|----------|---|----------|---|----------|---|----------|

Example: PS-200-1-A-1-L P 24 VDC, 1.5 Amp, 115 VAC Low Height Chassis